

CLEANENERGY[®]

Waste Oil Heaters That Burn Hot & Save Money

» CE-340

WASTE OIL BOILER



A WASTE OIL BOILER THAT WILL HELP YOU SAVE MONEY

Our CE-340 Waste Oil Boiler brings cost-saving waste oil technology to hydronic heating systems.

Featuring many of the same design innovations found in our line of waste oil furnaces, the CE-340 boiler allows businesses to create free hot water for radiant heat or other purposes by burning waste oil. It's clean, safe and guaranteed to cut costs when compared to traditional hydronic heating systems.

Included with the boiler:

- ✓ Clean Energy burner
- ✓ Preassembled metering pump
- ✓ Inline oil filter w/gauge
- ✓ Digital wall thermostat
- ✓ Damper
- ✓ Boiler controls

Acceptable fuel: used crankcase oil, transmission fluids, hydraulic oil, #2 heating oil (diesel fuel) and most synthetic oils.

Features:

- ✓ Easy Clean out – Front and rear doors open for straight through cleaning without removing stack
- ✓ Wet base fire tube boiler will reduce hot spots and deterioration
- ✓ 16 - 2 ½ diameter flue tubes
- ✓ ASME Certified
- ✓ UL and cUL Listed
- ✓ Optional domestic hot water coil
- ✓ 10-year warranty on heat exchanger
- ✓ 2-Year Warranty On Parts

Specifications:

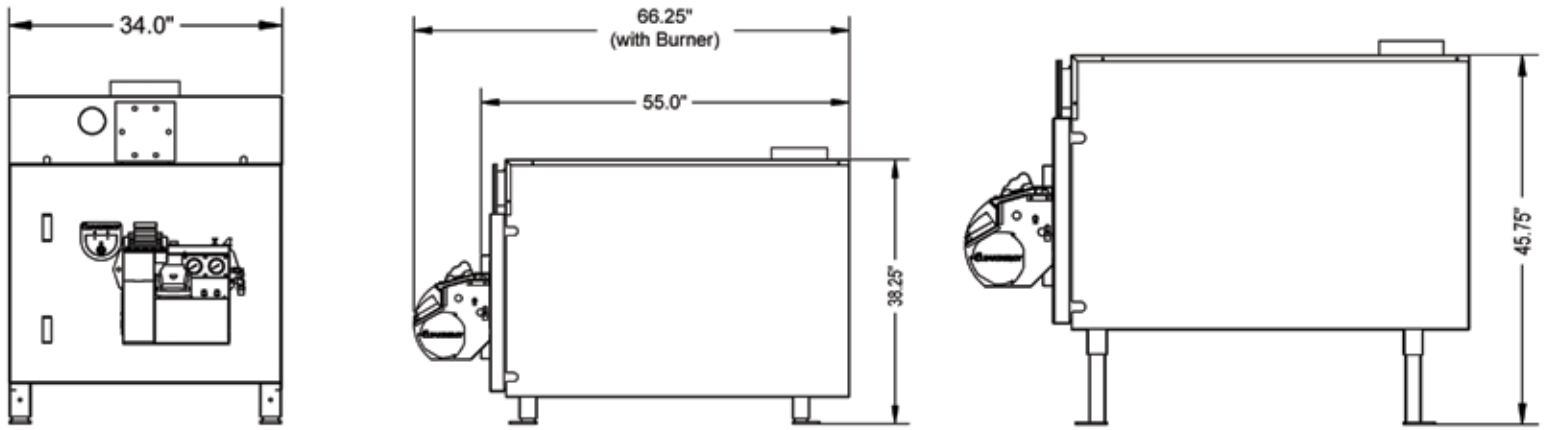
- ✓ 2.4 GPH fuel flow rate
- ✓ 335,000 BTU/hr input (approx.)
- ✓ 275,000 BTU/hr output (approx.)
- ✓ 65-gallon boiler water volume
- ✓ Supply 2" NPT / Return 2" NPT
- ✓ 8" exhaust stack
- ✓ Requiring 2.5 CFM @ 25 PSI compressed air
- ✓ 115V / 60 Hz 20-AMP electric
- ✓ Boiler weight (dry) 1000 lbs.
- ✓ Standard relief valve setting 30 psi
- ✓ Heating surface 62 ft²

HY-FLO

800.421.4018
210 North Locust Street - Pittsburg, KS 66762



CE-340 DIMENSIONS



Clearances to Combustible Materials

