

CLEANENERGY[®]

Waste Oil Heaters That Burn Hot & Save Money

» HEATING CENTER

BIG SAVINGS, SMALL FOOTPRINT

Our Heating Center is a cost-effective way to add the benefits of waste oil heating to just about any facility.

Consisting of an oil storage tank, funnel, pump bracket and a steel mount that can accommodate any Clean Energy furnace, the Heating Center packs clean heat and fast ROI into a small footprint. Perfect for shops, garages and facilities of all sizes, it's the easiest way to start saving money today.

Included with the heating center:

- ✓ Furnace stand and legs
- ✓ 250-gallon tank
- ✓ Large filter drain pan
- ✓ Pump mount bracket
- ✓ 4" tank emergency vent
- ✓ Vent-weather resistant breather

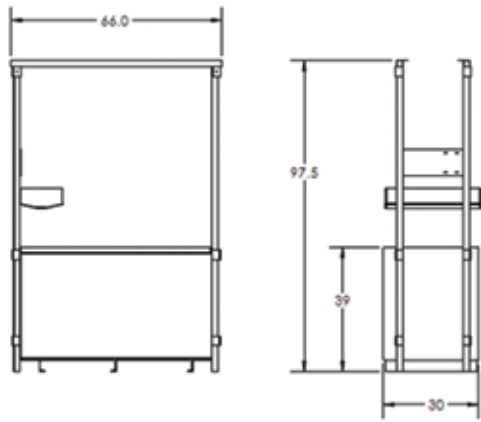


HY-FLO

800.421.4018
210 North Locust Street - Pittsburg, KS 66762



HEATING CENTER DIMENSIONS



INCLUDED WITH HEATING CENTER:

1. Furnace stand and legs
2. 250-gallon tank
3. Large filter drain pan
4. Pump mount bracket
5. 4" tank emergency vent
6. Vent-weather resistant breather

Includes copper tubing and fittings to connect furnace and tank

*Furnace and pump not included with heating center

OPTIONS:

1. Low oil cut off switch
2. Air compressor
3. Air filter/regulator with drain and pressure gauge

