

SPARE PARTS LIST

f o r

Infrared oil heater

Model

VAL6

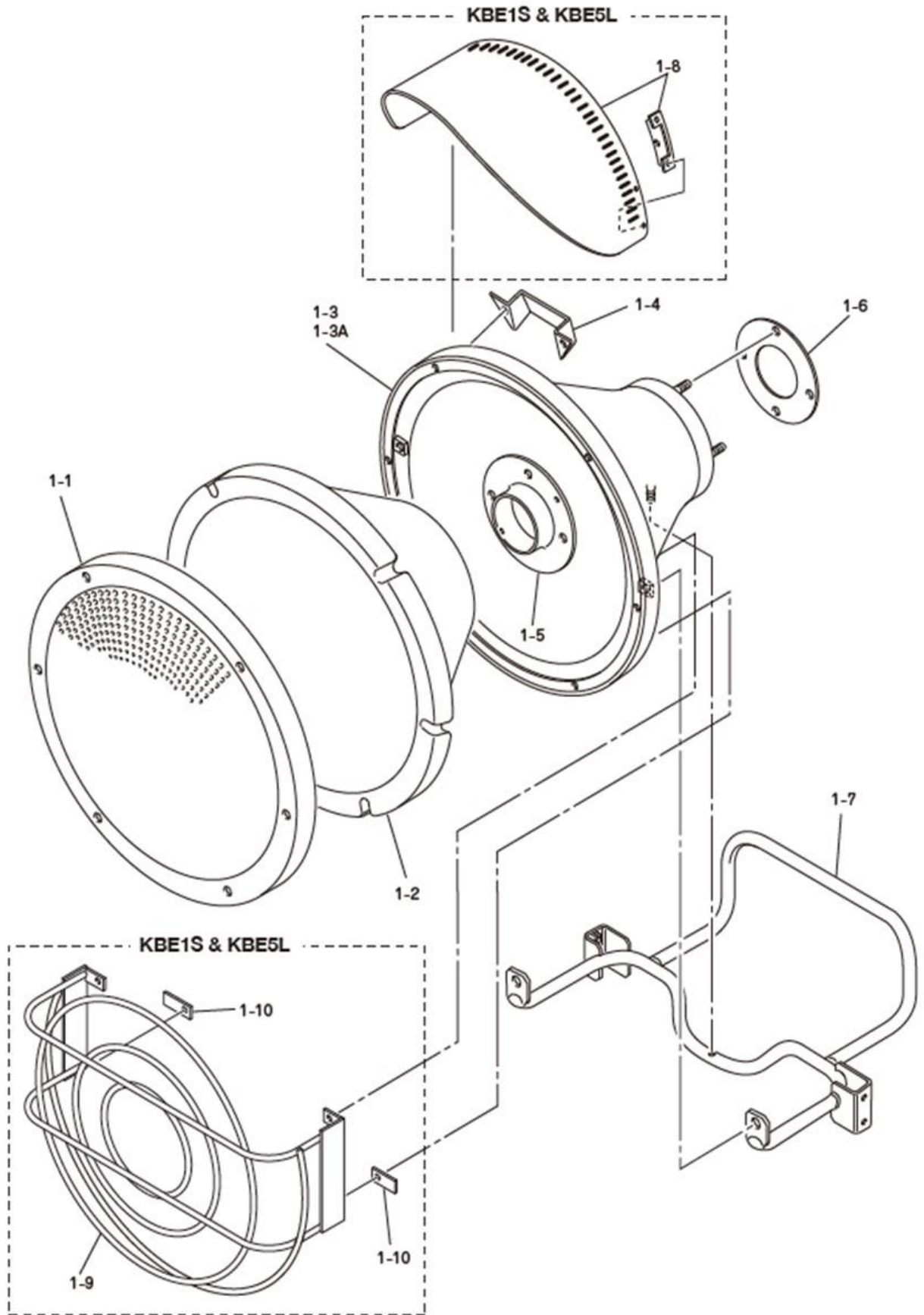
Type

- ◆ KBE5S for 120V 60Hz
- ◆ KBE5L for 120V 60Hz
- ◆ KBE5L 2-step for 120V 60Hz

May 2019

Shizuoka Seiki Co., Ltd.

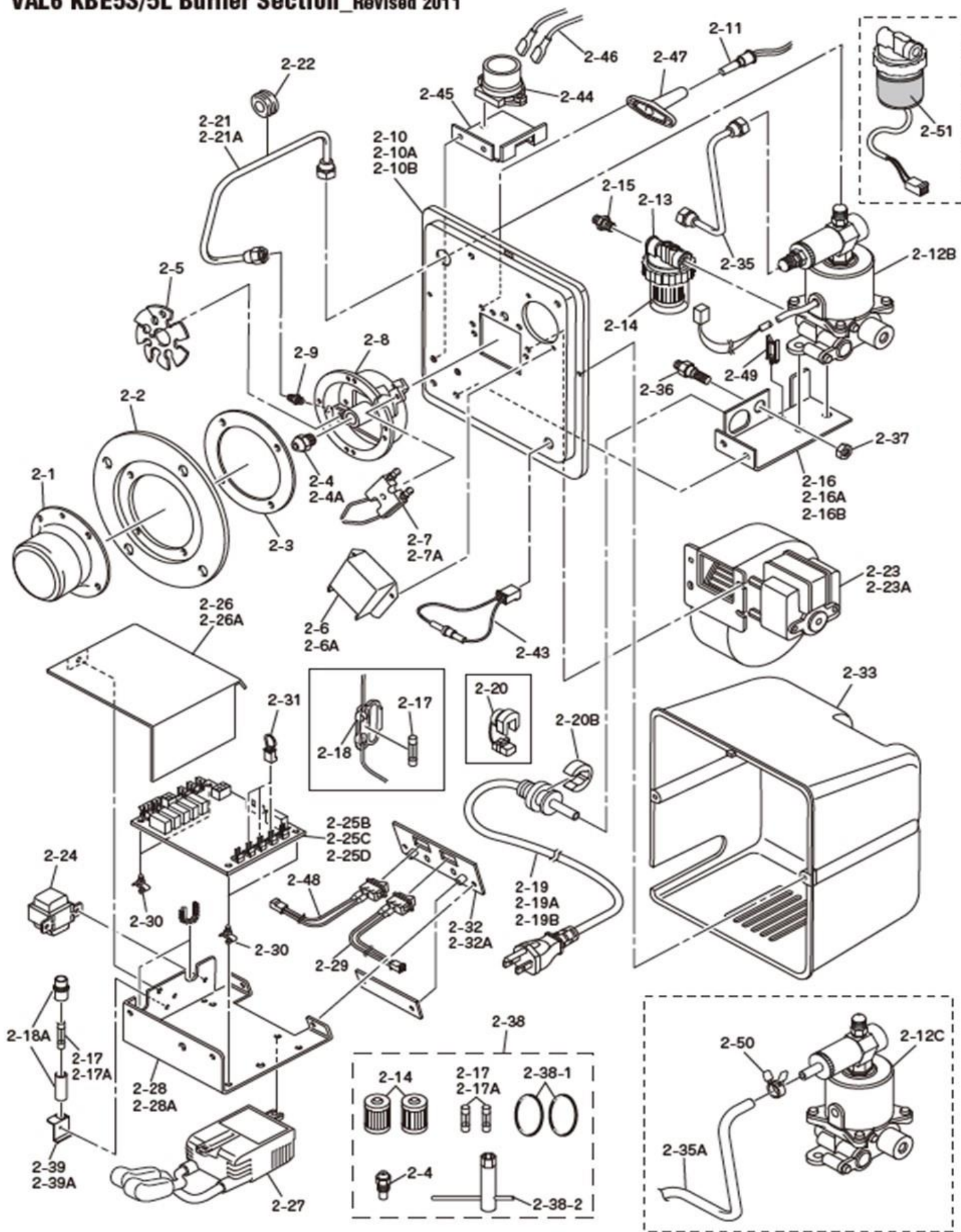
* PRICES AND SPECIFICATIONS ARE SUBJECT TO CHANGE WITHOUT NOTICE*



VAL6 KBE1S/5S/5L Radiation Section_ Revised 2011

PART NO.	PART NAME < RADIATION UNIT >	CODE NO.	JSO CODE	QTY /SET	KBE5L			REMARKS
					KBE5S	KBE5L	2STEP	
1-1	RADIATION DISK	21022 0001-1	VAL-KSL-R-01	1	●	●	●	
1-2	CONICAL INSULATOR	50298 203001	VAL-KSL-R-02	1	●	●	●	
1-3	CONICAL HOUSING	50298 103003		1	N/A	N/A		5L,1S: till 2005/2006, 5S: changed to 50300180001
		50300 180001	VAL-KSL-R-03	1	●			include 1-4
1-3A		50330 103004		1		N/A		Changed to 50330180001
		50330 180001	VAL-KSL-R-03A	1		●	●	include 1-4
1-4	CAUTION LABEL PLATE	50298203A05	VAL-KSL-R-04	1	●	●	●	with sticker (50300203002)
1-5	BURNER FITTING PIECE	21022 0001-5	VAL-KSL-R-05	1	●	●	●	
1-6	BURNER PACKING	50298 201016	VAL-KSL-R-06	1	●	●	●	
1-7	BURNER SUPPORT	50300 103002	VAL-KSL-R-07	1	●	●	●	
1-8	VISOR	50330 103002	VAL-KSL-R-08	1		●	●	used in units from 06/07 fixed to No.1-3A including visor fitting piece
1-9	PROTECTOR ASSEMBLY	50330 103003	VAL-KSL-R-09	1		●	●	used in units from 06/07, fixed to No.1-3A
1-10	RETAINER PLATE	50330 203006	VAL-KSL-R-10	2		●	●	used in units from 06/07, fixed to No.1-3A

VAL6 KBE5S/5L Burner Section Revised 2011



PART NO.	PART NAME <BURNER>	CODE NO.	JSO CODE	QTY /SET	KBE5L			REMARKS	
					KBE5S	KBE5L	2STEP		
2-29	SWITCH ASSEMBLY	50299 104005	VAL-KSL-B-29	1	●	●	●	KBE5S: till 2012/2013 D-05 KBE5L: till 2012/2013 D-03	
2-29A		50300 101008	VAL-KSL-B-29A	1	●			from 2013/2014 C-01, with cord	
2-29B	OPERATION SWITCH	50254 204006	VAL-KSL-B-29B	1			●	from 2012/2013 D-04, without	
2-30	CONTROL SUPPORT	50229 201037	VAL-KSL-B-30	4	●	●	●		
2-31	SHORT CIRCUIT CORD	50249 203047	VAL-KSL-B-31	3	●			5S: till 2004/05,	
			VAL-KSL-B-31	1	●	●		from 2005/2006	
				0	N/A	N/A		5S&5L: from '06/'07(I-01 lot) NO short circuit cord is needed till 2007, KBE5S changed to 50300101006, 5L/1S changed to 50303101006	
2-32	FACE PLATE	50300 201002		1	N/A	N/A		from 2008 with face label, 3-LED till 2012/2013 D-05	
			50303 101006	VAL-KSL-B-32A	1	●			from 2008 with face label
			50330 101006	VAL-KSL-B-32B	1			●	from 2010/2011 F-04
			50300 101007	VAL-KSL-B-32C	1	●			from 2013/2014 C-01
2-32A		50300 101007	VAL-KSL-B-32C	1	●			from 2006/2007 black color	
2-32B		50300 101007	VAL-KSL-B-32C	1	●			from 2006/2007 black color	
2-33	BURNER COVER	50300 101005	VAL-KSL-B-33	1	●				
2-35	RETURN LINE	50300 201014	VAL-KSL-B-35	1	●	●			
2-35A		50330 201016	VAL-KSL-B-35A	1			●	from 2010/2011 F-04	
2-36	RETURN LINE NIPPLE	50300 201015	VAL-KSL-B-36	1	●	●	●		
2-37	NIPPLE FITTING NUT	21300 503-58	VAL-KSL-B-37	1	●	●	●		
2-38	REPAIR SET	50300 103-83	VAL-KSL-B-38A	1	●	●			
		50330 180003	VAL-KSL-B-38C	1			●		
2-38-1	O-RING	21021 003-13	VAL-KSL-B-38B	1	●	●	●		
2-38-1A		50204 201083		1	N/A	N/A		from 2004/2005 P-03, changed to 21021003-13	
2-38-2	NOZZLE SPANNER	21022 003-68	VAL-KSL-B-38-2	1	●	●	●		
2-39	FUSE HOLDER BRACKET	50300 201025	VAL-KSL-B-39	1	□	□		FROM 2003/2004, Q-03 In case of product before 2002/2003, M4x8FT truss screw is required. Discontinued from 2007/2008 I-01	
2-39A		50330 201014	VAL-KSL-B-39A	1			●	from 2010/2011 F-04 from 2005/2006	
2-43	THERMOSTAT CABLE	50300 201029	VAL-KSL-B-43	1	●	●	●	KBE5S: till 2012/2013 D-05 KBE5L: till 2012/2013 D-03	
2-43A		50330 201023	VAL-KSL-B-43A	1	●		●	KBE5S: from 2013/2014 C-01 KBE5L: from 2012/2013 D-04	
2-44	TIP-OVER SWITCH	50298 202015	VAL-KSL-B-44	1	●	●	●		
2-45	TIP-OVER SWITCH BRACKET	50300 201035	VAL-KSL-B-45	1	●	●	●		
2-46	TIP-OVER SWITCH CORD	50300 201036	VAL-KSL-B-46	1	●	●	●	KBE5S: till 2012/2013 D-05 KBE5L: till 2012/2013 D-03	
2-46A		50330 201024	VAL-KSL-B-46A	1	●		●	KBE5S: from 2013/2014 C-01 KBE5L: from 2012/2013 D-04	
2-47	FLAME MONITOR HOLDER	50262 202029	VAL-KSL-B-47	1	●	●	●		
2-48	CHANGE-OVER SWITCH	50299 104006	VAL-KSL-B-48	1			●	from 2010/2011 F-04, with cord	
2-48A		50254 204007	VAL-KSL-B-48A	1			●	from 2012/2013 D-04, without cord	
2-49	WIRE BINDING	50810 201055	VAL-KSL-B-49	1			●	from 2010/2011 F-04	
2-50	HOSE CLAMP	50319 202016	VAL-KSL-B-50	1			●	from 2010/2011 F-04 (same as 3-25)	
2-51	STRAINER HEATER ASSEMBLY	50330 101009	VAL-KSL-B-51	1			●	from 2010/2011 F-04, till D-03	
2-51A※	(with body & Ring)	50330 101011	VAL-KSL-B-51A	1			●	from 2012/2013 D-04	
2-52※	OPERATION & CHANGE-OVER SWITCH CORD	50330 201025	VAL-KSL-B-52	1			●	from 2012/2013 D-04	

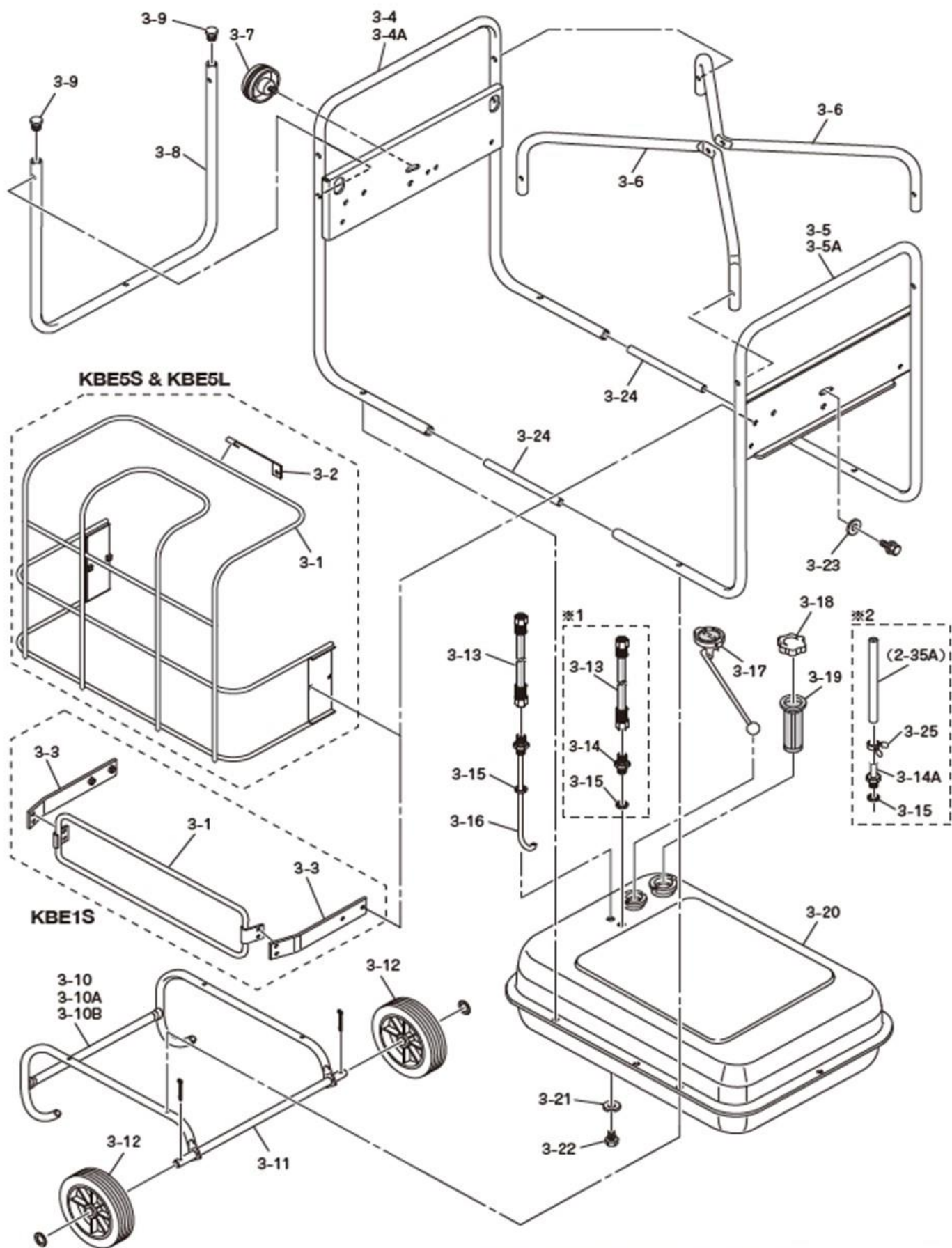
※not shown in drawing

190454

□-mark means that the parts supply period is over and there are limited numbers of stock.

Option

	STRAINER HEATER (with Ring)	50330 180002	VAL-KSL-B-51W	1	●	●	●	5S: till D lo, 5L: till F-03, 5L 2-step: from F-04 till D-03
		50330 180004	VAL-KSL-B-51AW	1	●		●	5S: from C lot, 5L 2-step: from D-04



VAL6 KBE1S/5S/5L Tank Section Revised 2011

PART NO.	PART NAME <FUEL TANK>	CODE NO.	JSO CODE	QTY /SET	KBE5L			REMARKS
					KBE5S	KBE5L	2STEP	
3-1	PROTECTOR ASSEMBLY	50300 102007	VAL-KSL-T-01	1	●	●		5L: used in units till 2005/2006
3-2	PROTECTOR SUPPORT	50300 202007	VAL-KSL-T-02	1	●			
		50330 202013	VAL-KSL-T-02V	1		N/A		used in units till 2005/2006
3-4	FRAME (R)	50300 102004	VAL-KSL-T-04	1	●			from 2007/2008 sharp edged pipe,
		50330 102004	VAL-KSL-T-04V	1		●		no need for 3-24 pipe connection
3-4A		50330 102009	VAL-KSL-T-04A	1		●	●	from 09/10 G-02 lot
3-5	FRAME (L)	50300 102005	VAL-KSL-T-05	1	●			from 2007/2008 sharp edged pipe,
		50330 102005	VAL-KSL-T-05V	1		●		no need for 3-24 pipe connection
3-5A		50330 102010	VAL-KSL-T-05A	1		●	●	from 09/10 G-02 lot
3-6	FRAME CONNECTION PIPE	50303 202006	VAL-KSL-T-06	2	●			
		50330 202007	VAL-KSL-T-06A	2		●	●	
3-7	KNOB BOLT	50229 202074	VAL-KSL-T-07	1	●	●	●	
3-8	HANDLE	50300 202004	VAL-KSL-T-08	1	●			
		50330 202008	VAL-KSL-T-08V	1		●	●	
3-9	PIPE END CAP	50298 202013	VAL-KSL-T-09	2	●			
		50330 202009	VAL-KSL-T-09V	2		●	●	
3-10	TANK LEG	50300 102006	VAL-KSL-T-10	1	N/A			5S;till 2003/2004,
3-10A		50300 102011	VAL-KSL-T-10A	1	●			5S;from 2004/2005,
3-10B		50330 102006	VAL-KSL-T-10B	1		●	●	
3-11	WHEEL SHAFT	50300 202008	VAL-KSL-T-11	1	●			
3-12	WHEEL	50201 204006	VAL-KSL-T-12	2	●	●	●	
3-13	FUEL HOSE	50300 202009	VAL-KSL-T-13	2	●	●		
				1			●	from 2010/2011 F-04
3-14	RETURN NIPPLE	50212 205004	VAL-KSL-T-14	2	●	●		
3-14A	FLANGE CONNECTION	50330 202022	VAL-KSL-T-14A	1			●	from 2010/2011 F-04
3-15	SUCTION PACKING	21650 100207	VAL-KSL-T-15	2	●	●	●	
3-16	SUCTION PIPE ASSEMBLY	50300 102008	VAL-KSL-T-16	1	●			including 3-14 & 3-15
		50330 102007	VAL-KSL-T-16A	1		●	●	
3-17	FUEL GAUGE	50300 202018	VAL-KSL-T-17	1	●			till 2016/17
		50278 102003	VAL-KSL-T-17V	1		●	●	till 2016/17 (Z lot)
		50302 203002	VAL-KSL-T-17A	1	●			from 2017/18
		50298 202019	VAL-KSL-T-17W	1			●	from 2017/18 Y-01~
3-18	TANK CAP	50221 103003	VAL-KSL-T-18	1	N/A	N/A	N/A	till 2015/16(A lot)
		50335 102008	VAL-KSL-T-18A	1	●	●	●	from 2016 Z-01~
3-19	TANK INLET FILTER	22011 0002-8	VAL-KSL-T-19	1	●	●	●	5S&5L till 2007/08
				1	-	-	-	from 2008/09 H-01, 5S&5L: Discontinued
3-20	FUEL TANK	50300 102002		1	-			5S&5L: with 3-17, 3-18, 3-21 & 3-22 (Change to
		50330 102002		1		-	-	50300102010 & 50330102011)
		50300 102010	VAL-KSL-T-20A	1	●			replacement for 50300102002
		50330 102011	VAL-KSL-T-20V	1		●	●	replacement for 50330102002
3-21	DRAIN PACKING	50231 204021	VAL-KSL-T-21	1	●	●	●	M16
3-22	DRAIN BOLT	50231 204020	VAL-KSL-T-22	1	●	●	●	M16
3-23	GASKET	21300 5002-9	VAL-KSL-T-23	1	●	●	●	M8
3-24	PIPE CONNECTION	50300 202025	VAL-KSL-T-24	2	N/A			from 2004/2005 P-02, Discontinued from 2007/2008 I-01
		50330 202016	VAL-KSL-T-24A	2		□		Discontinued from 2007/2008 I-01
3-25	HOSE CLAMP	50319 202016	VAL-KSL-T-25	1			●	from 2010/2011 F-04 (same as 2-50)

□-mark means that the parts supply period is over and there are limited numbers of stock.

Option

190454

	SHIELDING MAT(10pieces pack)	50300 205001	VAL-MAT					
	GUARD FENCE	50300 106001	VAL-FENCE					