

SPARE PARTS LIST

f o r

Infrared gas heater

Model

VAL6

Type

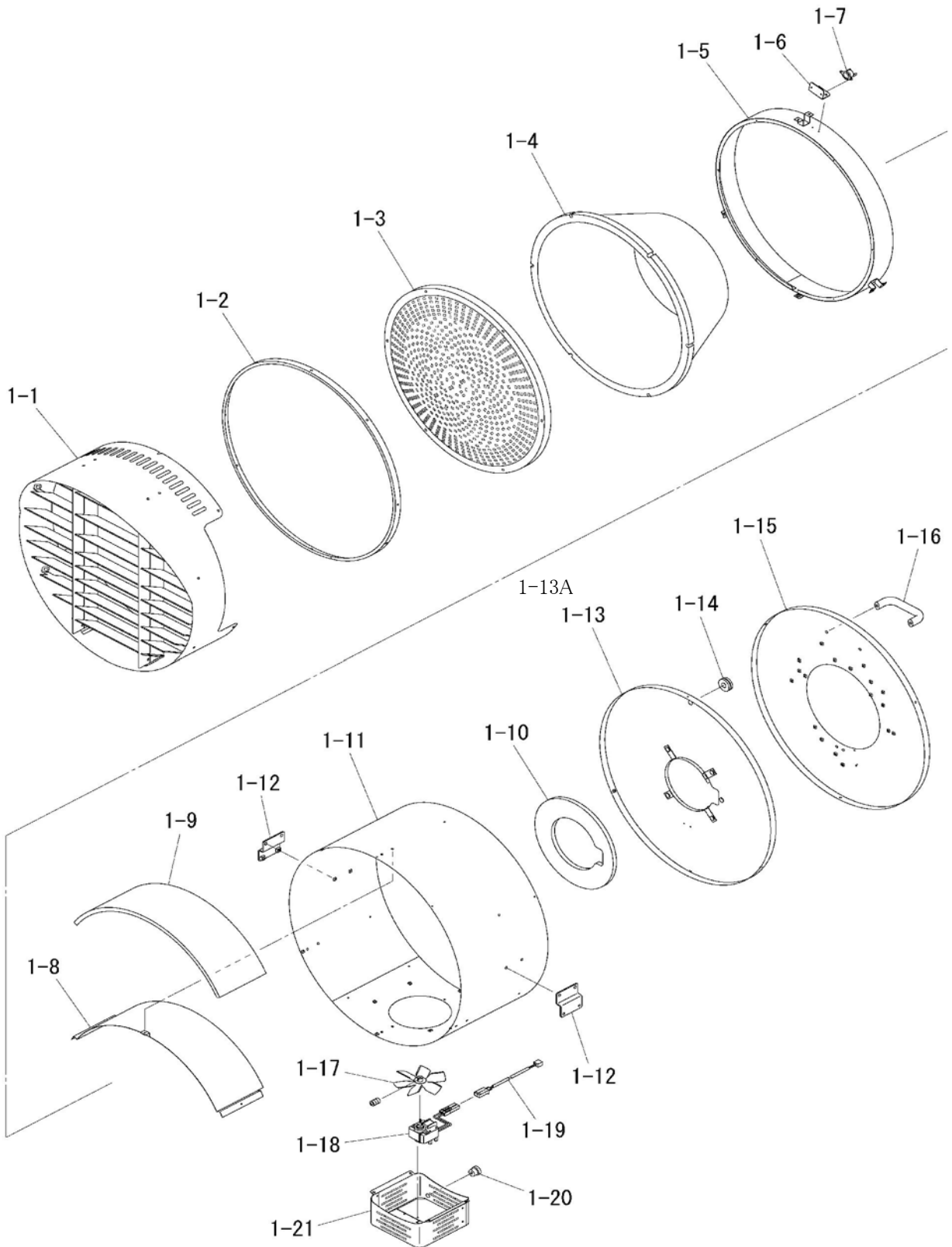
◆ GN5/GP5 for 120V 60Hz

October 2016

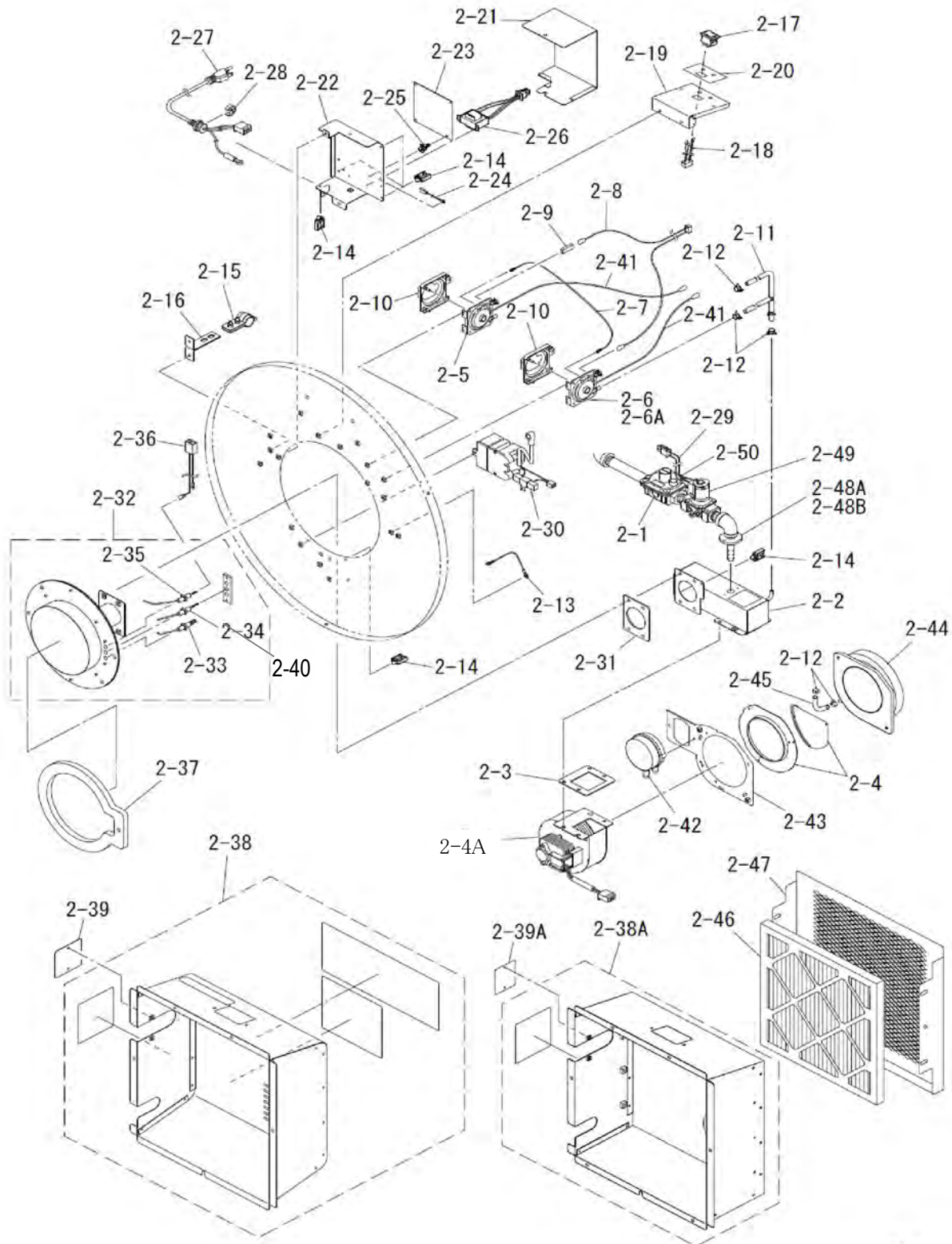
Shizuoka Seiki Co., Ltd.

* PRICES AND SPECIFICATIONS ARE SUBJECT TO CHANGE WITHOUT NOTICE*

Combustion Unit



Burner Unit



PART NO.	PART NAME	<BURNER UNIT>	U.S. Parts Code	CODE NO.	QTY /SET	GN5	GP5	REMARKS
2-1	GAS PIPE ASSEMBLY	配管組立	VAL-G-2-01	51001 101004	1	●		with Regulator and Solenoid valve
				51002 101003	1		●	
2-2	GAS MIXING BOX	ミキサー溶接組立	VAL-G-2-02	51001 101006	1	●	●	
2-3	FAN PACKING	ファン取付フランジパッキン	VAL-G-2-03	51001 201048	1	●	●	
2-4	COMBUSTION FAN	燃焼ファン	VAL-G-2-04	50330 201013	1	●	●	till 2013, C-01, change to 51001201057
2-4A			VAL-G-2-04A	51001 201057	1	●	●	from 2014, B-01
2-5	AIR SWITCH (A)	風圧スイッチ組立	VAL-G-2-05	51001 101009	1	●	●	till 2014(B lot) and w/o 2-46 filter
				51001 101022	1	●	●	from 2015, replacement with 2-46 filter
2-6	AIR SWITCH (B)	パナファン圧力スイッチ(LL)組立	VAL-G-2-06	01027 110008	1	●	●	
2-7	CONNECTING CORD	風圧スイッチ渡りコード	VAL-G-2-07	51001 201035	1	●	●	
2-8	AIR SWITCH CORD	風圧スイッチコード	VAL-G-2-08	51001 201037	1	●	●	
2-9	SLEEVE	後入れスリーブ	VAL-G-2-09	51001 201055	1	●	●	
2-10	AIR SWITCH COVER	圧力スイッチカバー	VAL-G-2-10	01138 207041	2	●	●	
2-11	AIR SWITCH HOSE	風圧ホース組立	VAL-G-2-11	51001 101010	1	●	●	
2-12	HOSE CLAMP	ホースクランプ	VAL-G-2-12	50319 202016	6	●	●	Same as Daystar
2-13	GROUNDING WIRE (A)	パナヘッドアスコット	VAL-G-2-13	51001 201038	1	●	●	
2-14	WIRE BINDING	ワイヤバンドル	VAL-G-2-14	51001 201033	6	●	●	
2-15	PIPE FIXING BRACKET	配管固定金具	VAL-G-2-15	51001 200002	1	●	●	
2-16	PIPE FIXING BRACKET BASE	配管固定金具脚	VAL-G-2-16	51001 200003	1	●	●	
2-17	OPERATION SWITCH	運転スイッチ	VAL-G-2-17	50254 204006	1	●	●	Same as MPX
2-18	OPERATION SWITCH CORD	運転スイッチコード	VAL-G-2-18	51001 201039	1	●	●	
2-19	BURNER CONTROL BRACKET	操作基板取付板組立	VAL-G-2-19	51001 101014	1	●	●	with face label (2-20)50300201010
2-21	BURNER CONTROL COVER	パナコンカバー	VAL-G-2-21	51001 201009	1	●	●	
2-22	CONTROL CHASSIS	パナコン取付板	VAL-G-2-22	51001 201008	1	●	●	
2-23	BURNER CONTROL	パナコントローラー	VAL-G-2-23	51001 201001	1	●	●	
2-24	GROUNDING WIRE (B)	基板アスコット	VAL-G-2-24	51001 201056	1	●	●	
2-25	CONTROL SUPPORT	基板支柱	VAL-G-2-25	50229 201037	4	●	●	Same as EPX
2-26	STEP DOWN TRANSFORMER	変圧トランス	VAL-G-2-26	51001 201006	1	●	●	
2-27	POWER CABLE	電源コード	VAL-G-2-27	51001 201007	1	●	●	
2-28	CABLE STOPPER	中間クリップ	VAL-G-2-28	50205 201019	1	●	●	Same as MPX
2-29	SOLENOID VALVE CORD	電磁弁コード	VAL-G-2-29	51001 201036	1	●	●	
2-30	IGNITION TRANSFORMER	点火トランス	VAL-G-2-30	51001 201005	1	●	●	
2-30	GAS MIXING BOX PACKING	ミキサーパッキン	VAL-G-2-31	51001 201047	1	●	●	
2-32	BURNER HEAD	パナヘッド組立	VAL-G-2-32	51001 101005	1	●	●	include 2-33, 2-34, 2-35, 2-
2-33	ELECTRODE	スパークプラグ	VAL-G-2-33	51001 201042	1	●	●	
2-34	ELECTRODE GROUND	スパークプラグランド	VAL-G-2-34	51001 201044	1	●	●	
2-35	FLAME ROD	フレイムロッド	VAL-G-2-35	51001 201043	1	●	●	
2-36	FLAME ROD CORD	フレイムロッドコード	VAL-G-2-36	51001 201040	1	●	●	
2-37	BURNER PACKING	パナパッキン	VAL-G-2-37	51001 201032	1	●	●	
2-38	BURNER COVER with schematic diagram sticker	パナカバーラベル組立 配線図ラベル添付	VAL-G-2-38	51001 101003	1	●	●	till 2014(B lot) and w/o 2-46 filter
2-38A			VAL-G-2-38A	51001 101016	1	●	●	from 2015, replacement with 2-46 filter
2-39	BURNER COVER PLATE	パナカバープレート	VAL-G-2-39	51001 201046	1	●	●	till 2014(B lot) and w/o 2-46 filter
2-39A	BURNER COVER PLATE	パナカバープレート	VAL-G-2-39A	51002 201072	1	●	●	from 2015, replacement with 2-46 filter

Frame Unit

